

### General information

Precipitation is measured at intervals via the sensor surfaces and compared to the preset value.

The Aquero reacts to rain and snow.

The response threshold for the Aquero is preset in the factory. If the value is exceeded, the awning or the blind is retracted.

Appropriate control devices (e.g. AeroTec) can be controlled via the potential-free changeover contact.

### Exclusion of liability

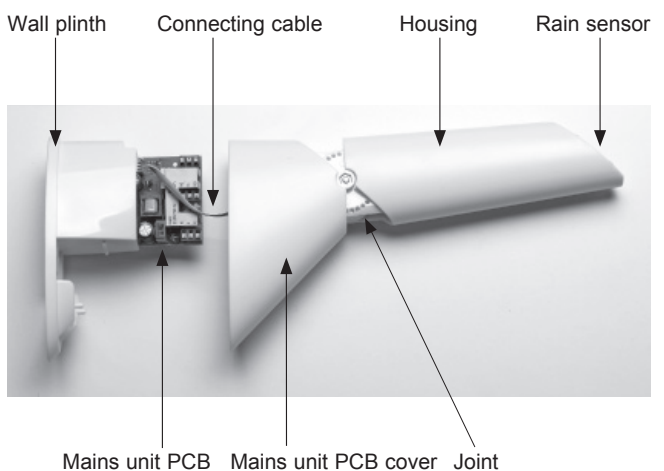
It is essential to observe these operating instructions for use if the Aquero is to be used safely and if the various product characteristics and performance features are to be achieved. elero GmbH assumes no liability for personal injuries, property damages and financial losses that arise from non-observance of the operating instructions. Liability for material defects is excluded in such cases.

### Intended use

The Aquero may only be used to control awnings and blinds. Third-party devices should only be connected after consultation with your specialised dealer.

### Assembly

**Note:** Mount the Aquero close to the system to be protected. Make sure that the sensor surface is completely open to rain from above. The sensor surface should be aligned at an angle of approx. 45° to the rain.



Warning!



### Important safety instructions!

#### Observe the following instructions.

#### Risk of injury due to electrocution.

- All installation work **must** be carried out by a electrician.
- This electrician must be suitably qualified.
- Check the system regularly for wear or damage.
- Never install or commission devices which are damaged.
- Only use unmodified original **elero** electrical parts.
- If the device is opened without permission or used in an improper manner, or if it is incorrectly installed or operated, there is a risk of damage to persons and property.
- If one or more devices are used for controlling the system, the operating range of the system must be visible.
- Keep persons away from the operating range of the system.
- When working on the system (servicing, cleaning windows etc.), always disconnect it from the mains supply
- Keep children away from the control units.
- The device contains small parts which can be swallowed.

1. Pull the mains unit PCB cover off the wall plinth.
2. Pull the mains unit PCB carefully out of the wall plinth.
3. Fix the wall plinth in the desired mounting position using the screws and dowels provided.

# Mounting and technical data

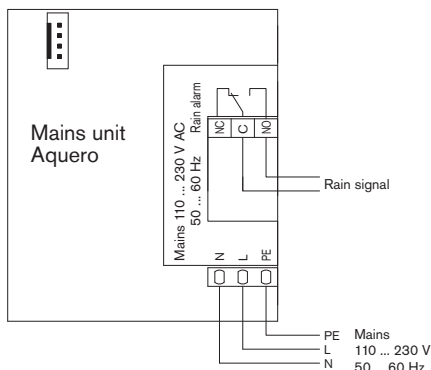
## Permissible mounting position



Horizontal wall mounting position

- Switch off the mains voltage.
- Connect the Aquero, observing the correct wiring colours.

Multipoint connector/supply voltage  
Sensor PCB

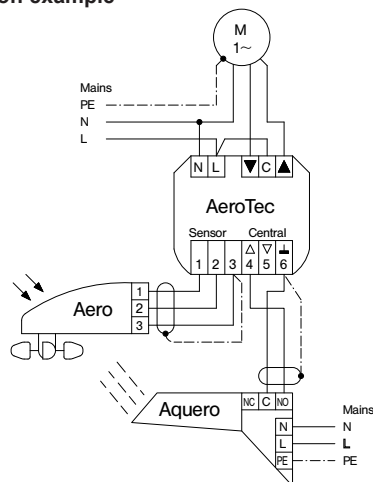


- Push the mains unit PCB carefully back into the wall plinth. Make sure that the PCB is located in the guide rail.
- Push the mains unit PCB cover back onto the wall plinth and screw it tight.
- Switch on the mains voltage again. After 2 minutes, the Aquero is ready for operation.

The terminal configuration in the device is as follows:

- L Mains
- N Mains
- PE Protective earth
- C Rain alarm
- NO Rain alarm

## Connection example



## Technical data

Protection class:	IP44 (after correct installation)
Supply voltage:	110 V to bis 230 V, 50 to 60 Hz
Power consumption:	0,5 to 5 W
Output:	1 potential-free changeover contact 5 A / 250 V
Ambient temperature:	-20 °C to + 50 °C
Dimensions:	300 x 170 x 65 mm
Weight:	0,42 kg

## Maintenance

The Aquero must be freely accessible and must not be overgrown by vegetation. The Aquero is maintenance-free; however, the sensor surface must be cleaned from time to time using a moist cloth without cleaning agents.



Caution!

### Important safety instructions! Observe the following instructions.

#### Danger of injury due to burns!

- The sensor surface may reach a temperature of up to 60 °C.
- Only touch the sensor surface with great care.
- Check the function of the Aquero by splashing water onto the sensor surface..

## Troubleshooting

Fault	Cause	Remedy
The awning does not retract when it rains	Aquero is dirty	Clean Aquero
	Aquero is mounted incorrectly	Mount Aquero correctly → see 'Permissible mounting position'