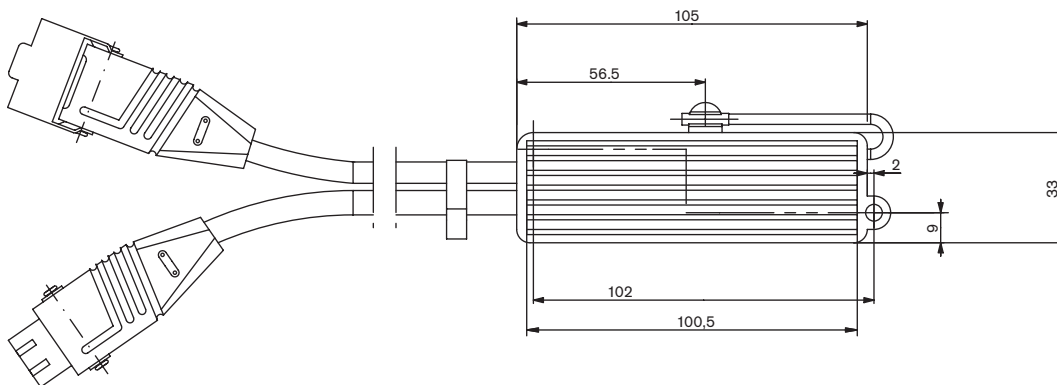
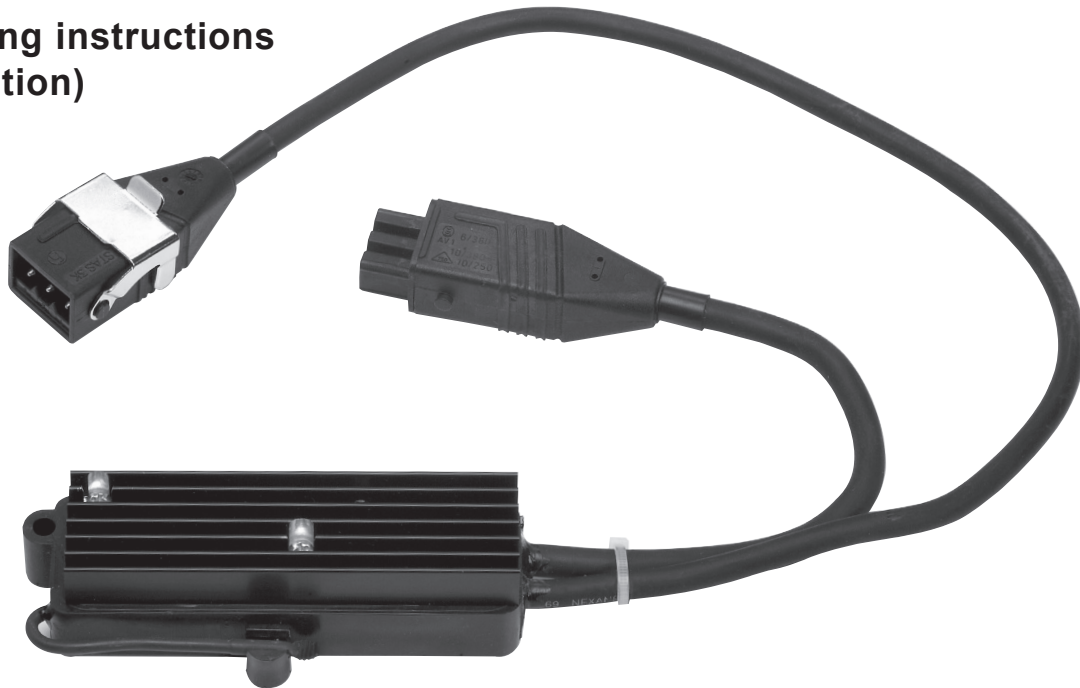


Operating instructions (translation)



Warning!



Important safety instructions! Observe the following instructions.

Risk of injury due to electrocution.
Connections to the 230 V mains **must** be made by authorised specialist personnel.

- The regulations of the local energy supply company as well as the regulations for wet and damp rooms according to VDE 0100 must be followed when making the connections.
- Follow the relevant country-specific regulations.
- When working on the system (e.g. servicing), separate it from the mains supply.
- Keep children away from the control units.
- The control unit must be installed so that it is not exposed to rain.
- Check the system regularly for wear or damage.



Note!

- Please note that radio systems must not be operated in areas with an increased risk of interference (e.g. hospitals, airports).
- The remote control is only approved for devices and systems for which any malfunction of the hand-held transmitter or receiver would not result in a risk for persons, animals or property, or if such a risk is covered by other safety devices.
- The operator has no protection whatsoever from interferences by other radio emitters and local terminals (e.g. also from radio installations), that are normally used on the same frequency range.

General information

The Combio-868 HE radio receiver enables you to turn heating systems of up to 2 kW output on and off by remote control.

It is also possible to switch the heating system down to 66% of its output.



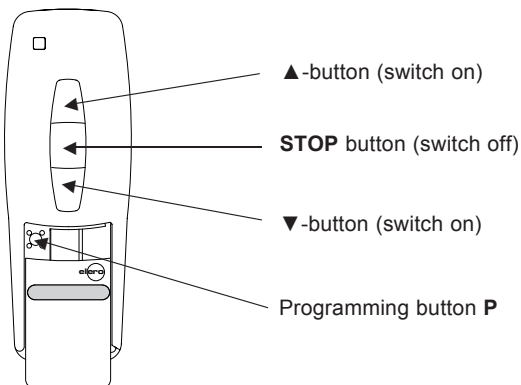
Warning!

The Combio-868 HE is **only** suitable for use with heating systems with a nominal power of max. 2 kW.

Do not connect other consumers to the device!

Read the operating instructions of the heating system.

Explanation of buttons



Initial operation



Warning!

**Device becomes hot in use!
Risk of burning!**

- Ensure that the Combio-868 HE is sufficiently well-ventilated.
- Do not use any highly inflammable or inflammable materials near to the Combio-868 HE.

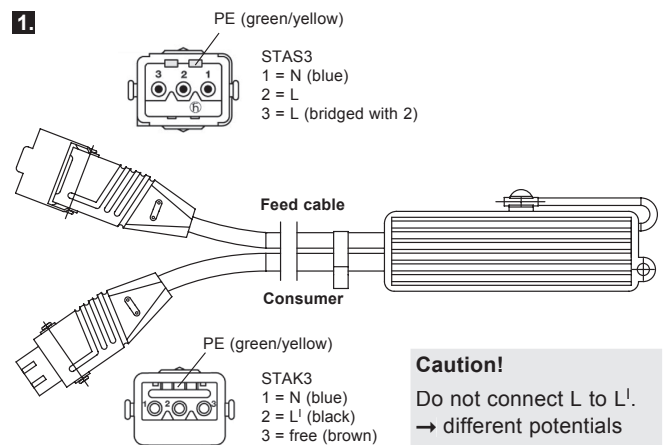
Optimal use of the radio signal

- Do not bend the antenna.
- Do not shorten or extend the antenna.
- If reception is poor, adjust the antenna.
- Install the antenna so that it is as exposed as possible.
- Antenna is not to rest on metal.
- Using a number of receivers may cause interference.

Note: Radio systems, which operate on the same frequency, can lead to reception of interferences.

Please note, that the range of the radio signal is limited by the government and the built environment.

1.



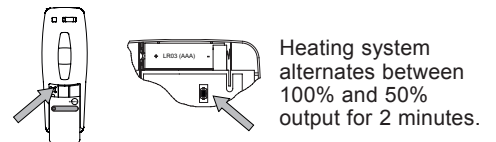
Caution!

Do not connect L to L^I.
→ different potentials

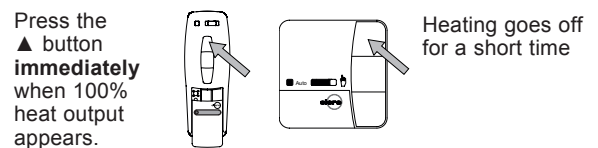
2. Switch off/on mains.

The Combio-868 HE is now ready to program for 5 minutes.

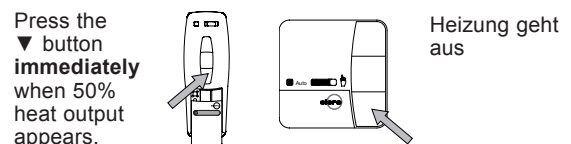
3.



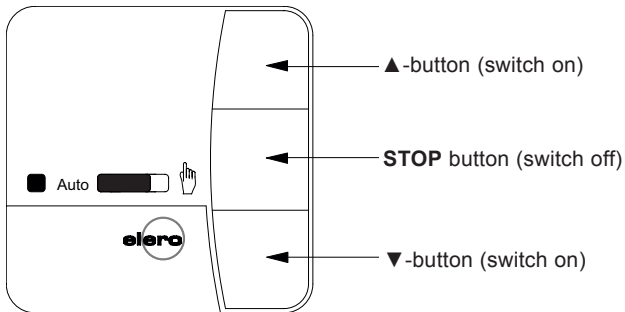
4.



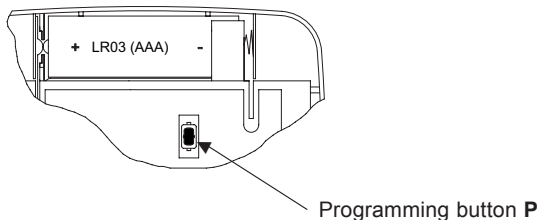
5.



The transmitter is programmed.



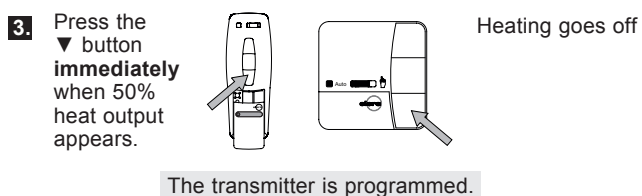
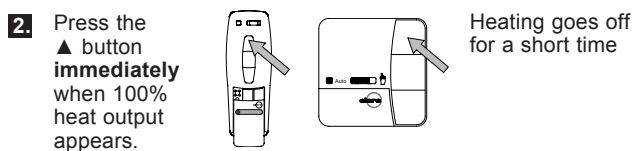
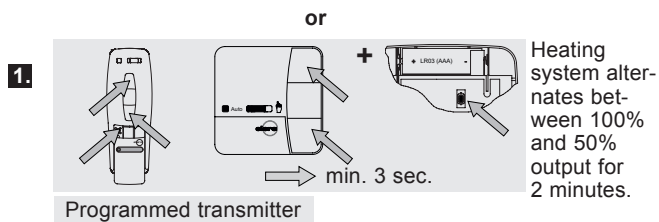
Back of device



Programming additional transmitters

Programming possible for max. 16 transmitters.

To program further transmitters, proceed as follows:



Note: If several receivers are connected to the same feed line, then all are simultaneously ready to program. The heating system begins to briefly light up “randomly”. The longer you wait with the programming the greater will be the offset. Individual channels/transmitters can now be assigned to the respective receiver. You can stop the flashing if you briefly push the **STOP** button of a transmitter which has already been programmed. The channel assignment/change can now be made without you having to disconnect the individual receivers.

Switching on the heating system:

Precondition: The transmitter is programmed.

Press the UP or DOWN button.

Switching off the heating system:

Press the STOP button.

Note: The Combio-868 HE switches off the heating to which it is connected automatically after 12 hours.

Switching on the intermediate stag

Precondition: The transmitter is programmed.

1. Press the ▼ button or the ▲ button twice in rapid succession.
2. The heating system operates at 66% capacity.

Operation with a ProLine timer

If the Combio-868 HE is operated with a ProLine clock timer, no operating times (Display shows -- :- --) may be entered.

This applies for the menu items:

- “Intermediate position”
- “Ventilation/Tilting”

In addition, the device must be set to “Prog 1 End Position” or “Prog 2 End Position” (if active).

Deleting individual transmitters

1. Press **simultaneously**:
 - Programming button **P**
 - **STOP** button
 } on the programmed transmitter
2. Hold down this button combination until the LED goes out briefly.

Deleting all transmitters

1. Press **simultaneously**:
 - Programming button **P**
 - ▲- button
 - **STOP**-Taste
 - ▼- button
 } on the programmed transmitter
2. Hold down this combination of buttons until the LED flashes 3x and then goes out.

Technical data

Mains voltage	230 V
Frequency	50 Hz
Max. connected power	2000 W
Degree of protection	IP 50
Permitted ambient temperature	-20 °C to +30 °C
Cables	Mains cable 530 mm (STAS 3) Cable to heating 275 mm (STAK 3)
Back-up fuse	10 A time delay
Max. number of transmitters	16

Important: Note the output of the heating system!

Available accessories (not included in the scope of delivery)

- Cable 3 x 1.5² Cable length: 6.5 m with STAK3 and earthed plug.
- STAS3 for connection of the heating system to the Combio-868 HE.

Notes on troubleshooting

Fault	Cause	Remedy
No radio reception	1. Transmitter is not programmed. 2. No power supply.	Program the transmitter. Switch on power supply.
Bad radio reception	Change unfavourable position of receiver.	Change position of receiver or aerial.
Heating does not heat up	1. Heating system wrongly connected. 2. Heating element is defective.	1. Check connection. 2. Replace heating element.